

Home Gym with 110lbs Weight Stack

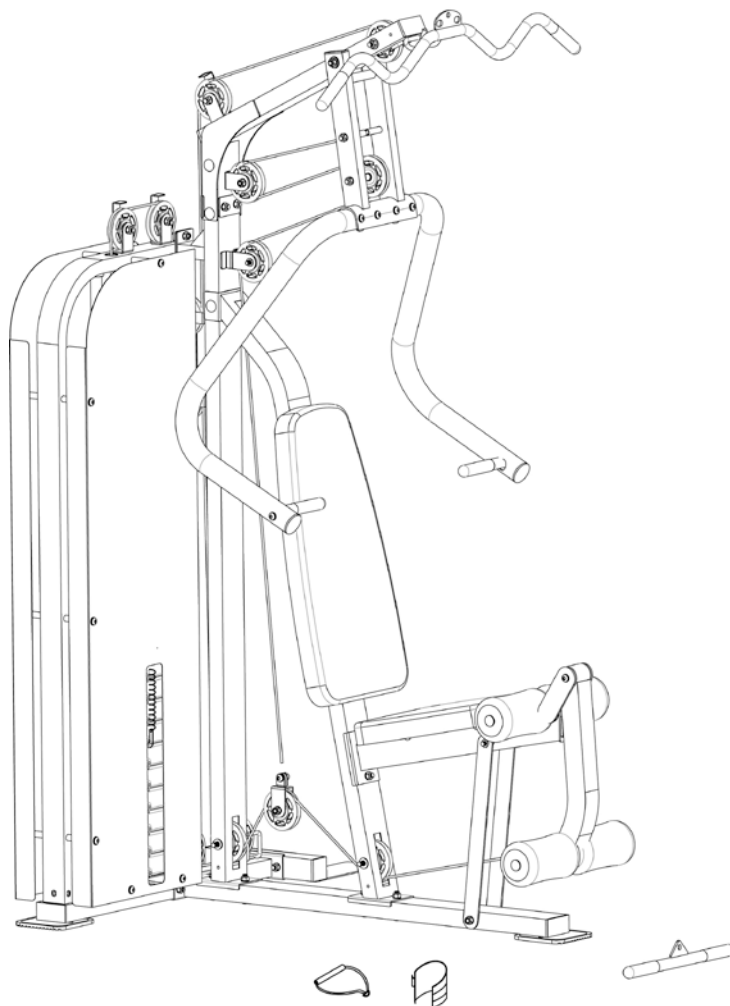
STE-00300



Tools Required:
Adjustable Wrench
Allen Wrench

ASSEMBLY MANUAL

Retain This Manual For Reference



Dick's Sporting Goods 345 Court Street Coraopolis, PA 15108



① X1



② X1



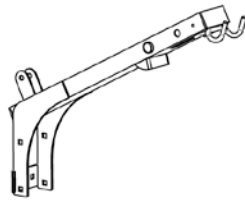
③ X1



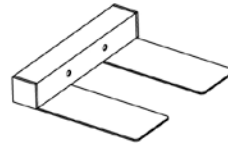
④ X1



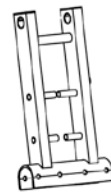
⑤ X1



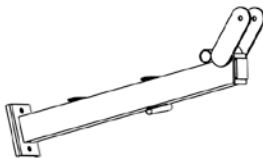
⑥ X1



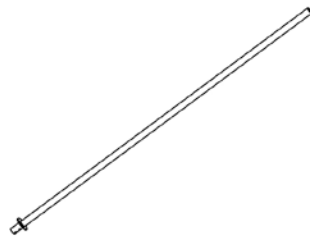
⑦ X1



⑧ X1



⑨ X1



⑩ X2



⑪ X1



⑫ X2



⑬ X1



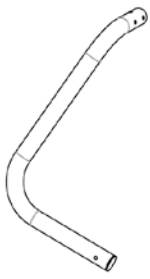
⑭ X1



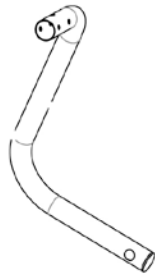
⑮ X1



⑯ X1



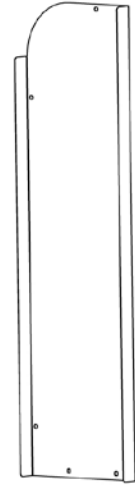
17 X1



18 X1



19 X1



20 X1



21 X2



22 X1



23 X5



24 X8



25 X2



26 X2



27 X3



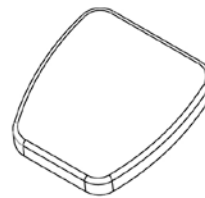
28 X1



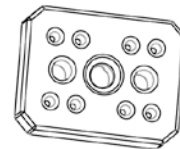
29 X1



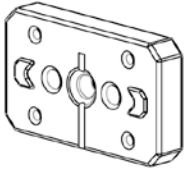
30 X1



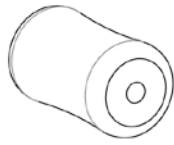
31 X1



32 X1



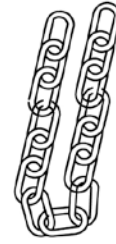
33 X10



34 X4



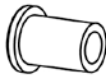
35 X1



36 X2



37 X4



46 X6



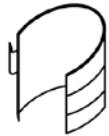
50 X14



51 X2



53 X1



54 X1



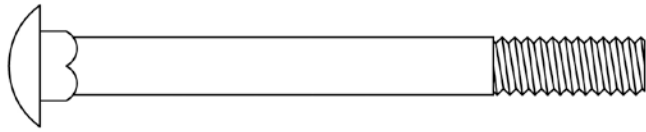
55 X1



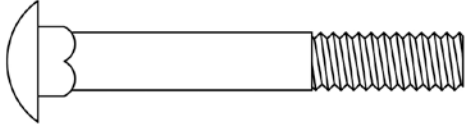
56 X1



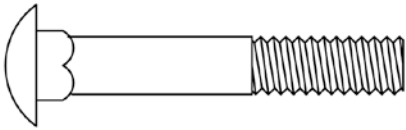
57 X1



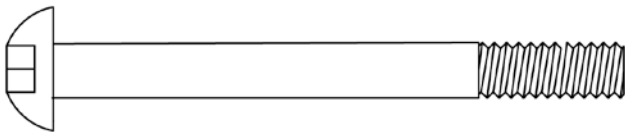
58 X5



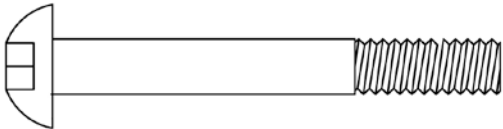
59 X2



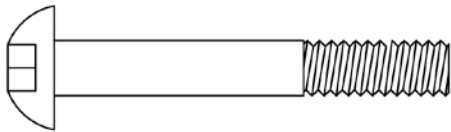
60 X8



62 X8



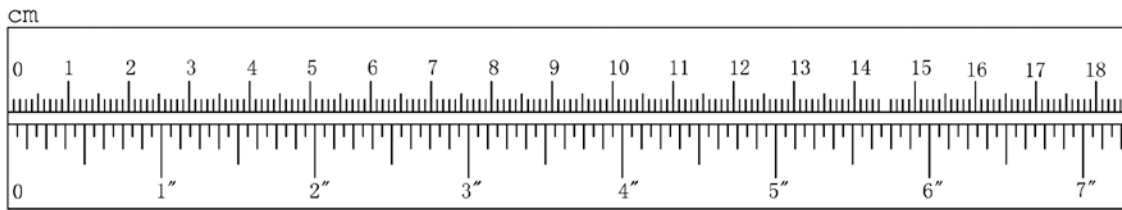
63 X2

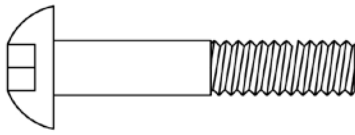


64 X2

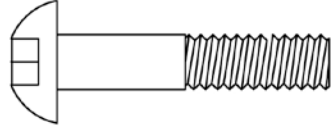


61 X2

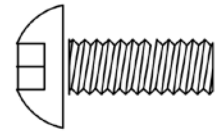




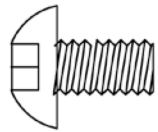
65 X5



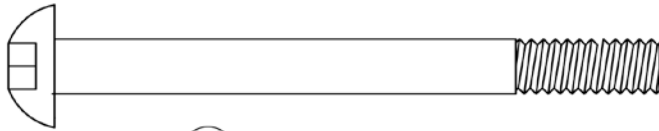
66 X5



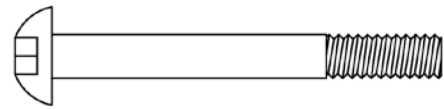
67 X10



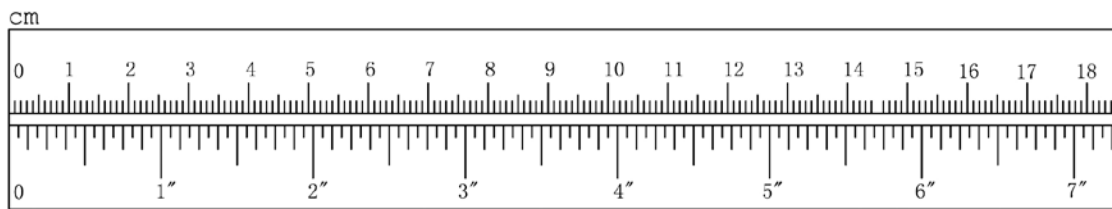
68 X11

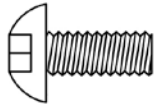


71 X5

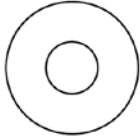


69 X2

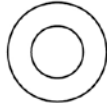




70 X4



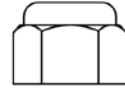
72 X2



73 X82



74 X6



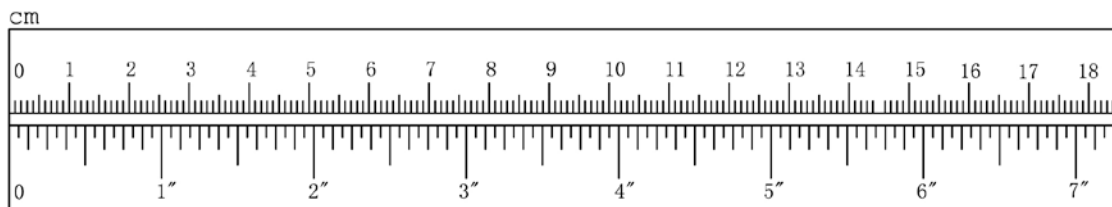
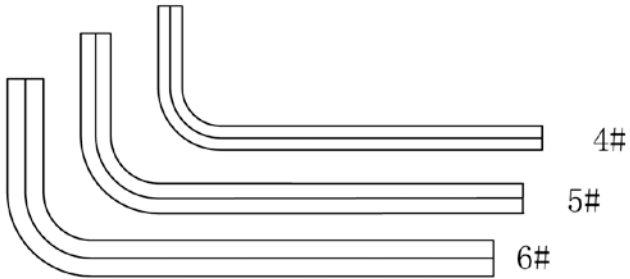
75 X40



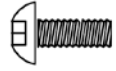
76 X1



77 X1



67



M10 x 1"

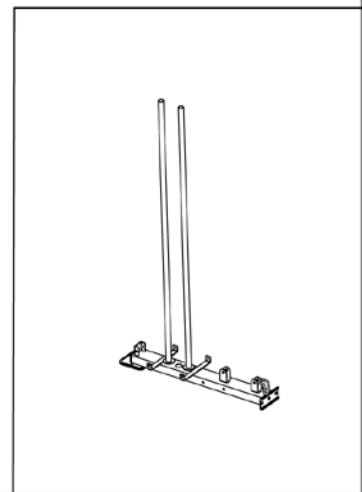
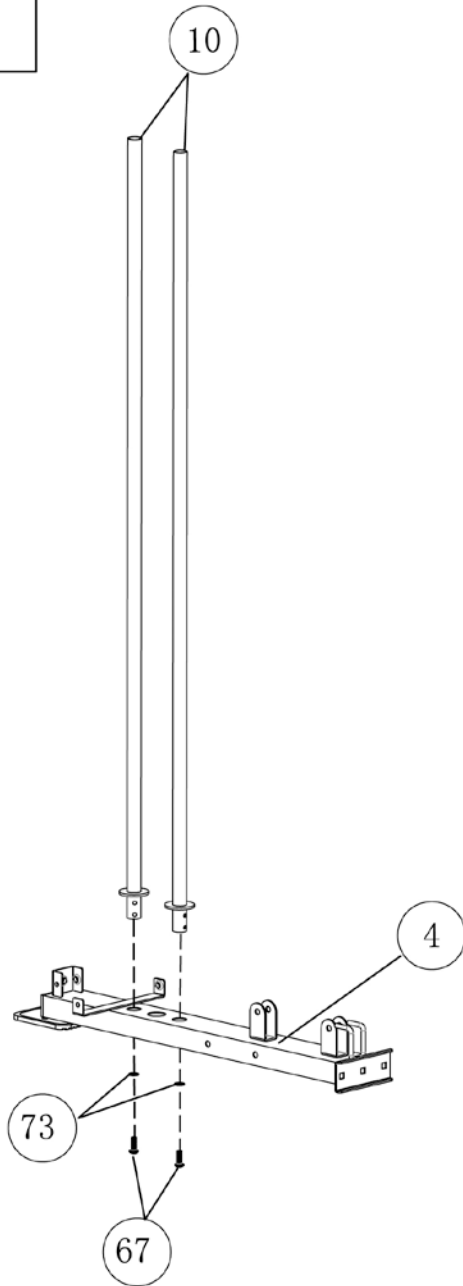
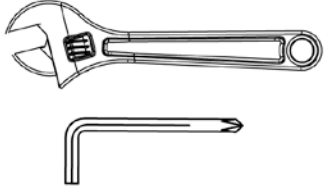
2

73

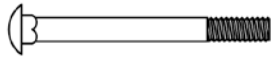


Ø 3/4"

2



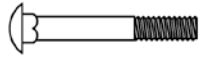
58



M10 x 4"

2

59



M10 x 2 3/4"

2

73



Ø 3/4"

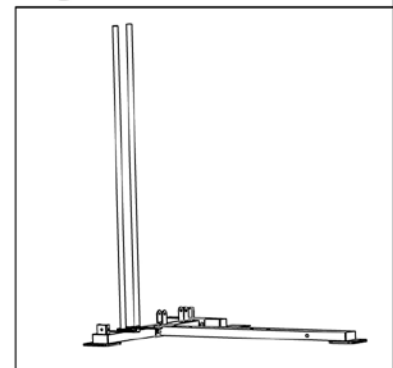
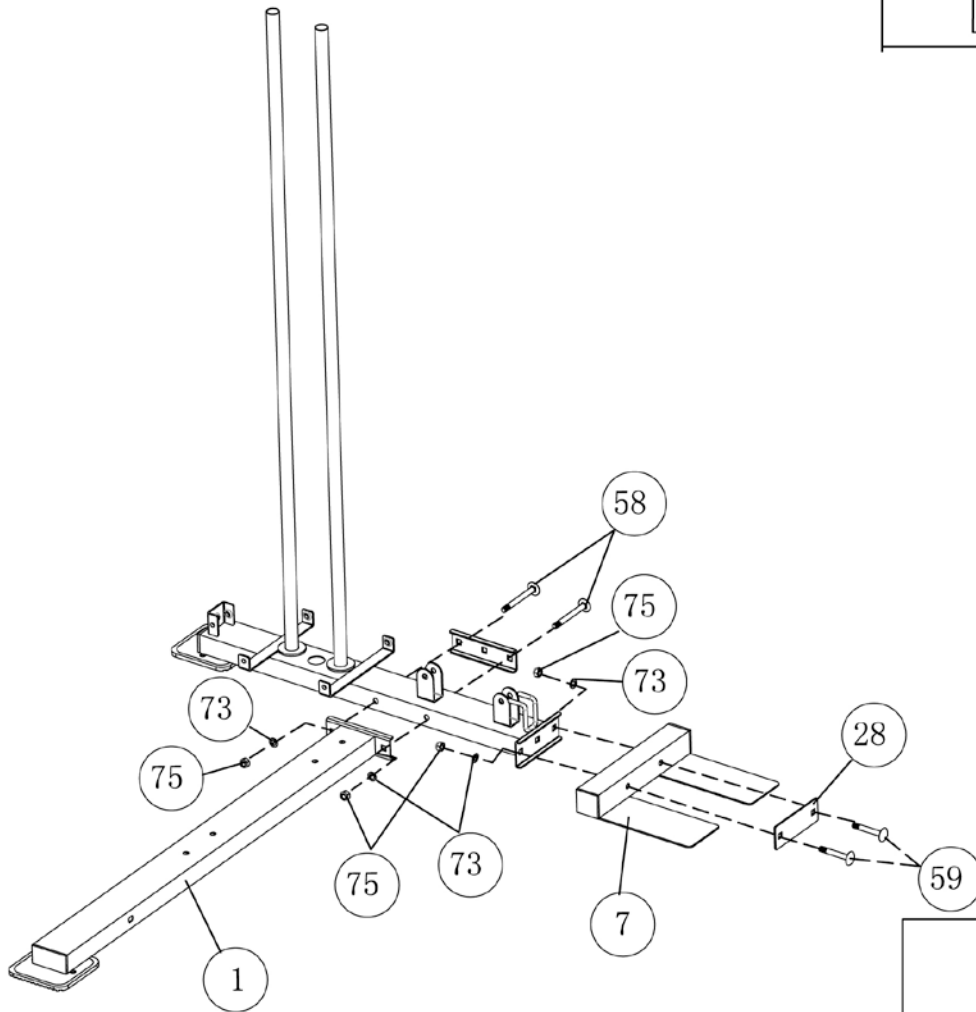
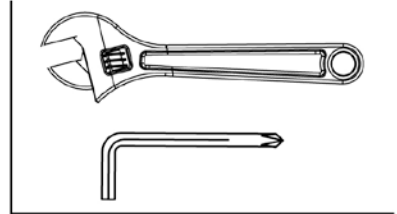
4

75



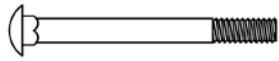
M10

4



2

58



M10 x 4"

1

60



M10 x 2 3/8"

4

73



Ø 3/4"

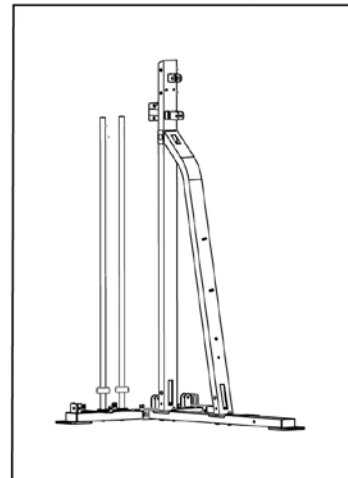
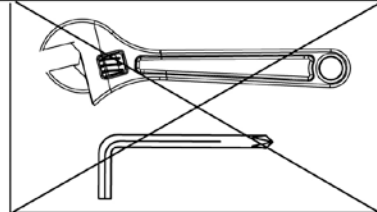
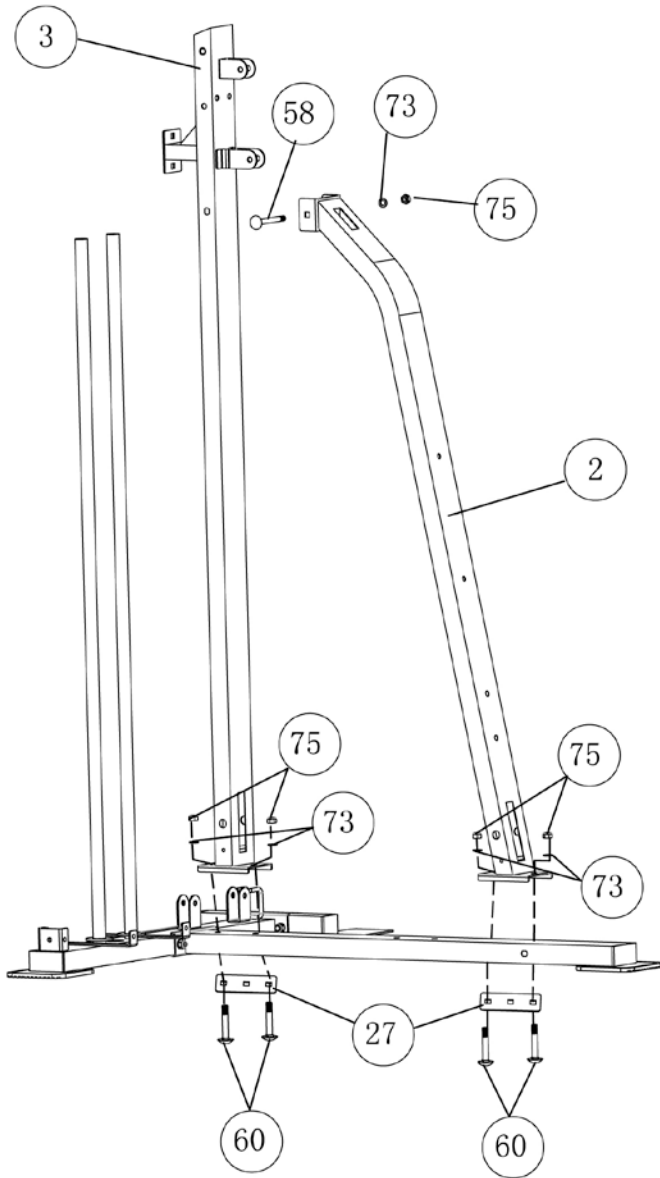
5

75



M10

5



3

32



1

33



10

51



2

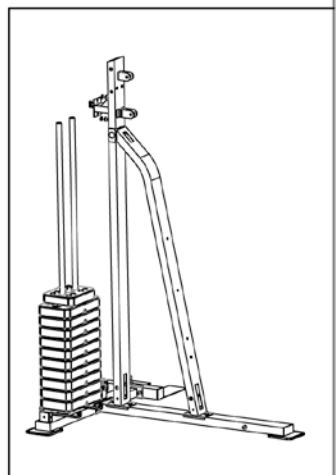
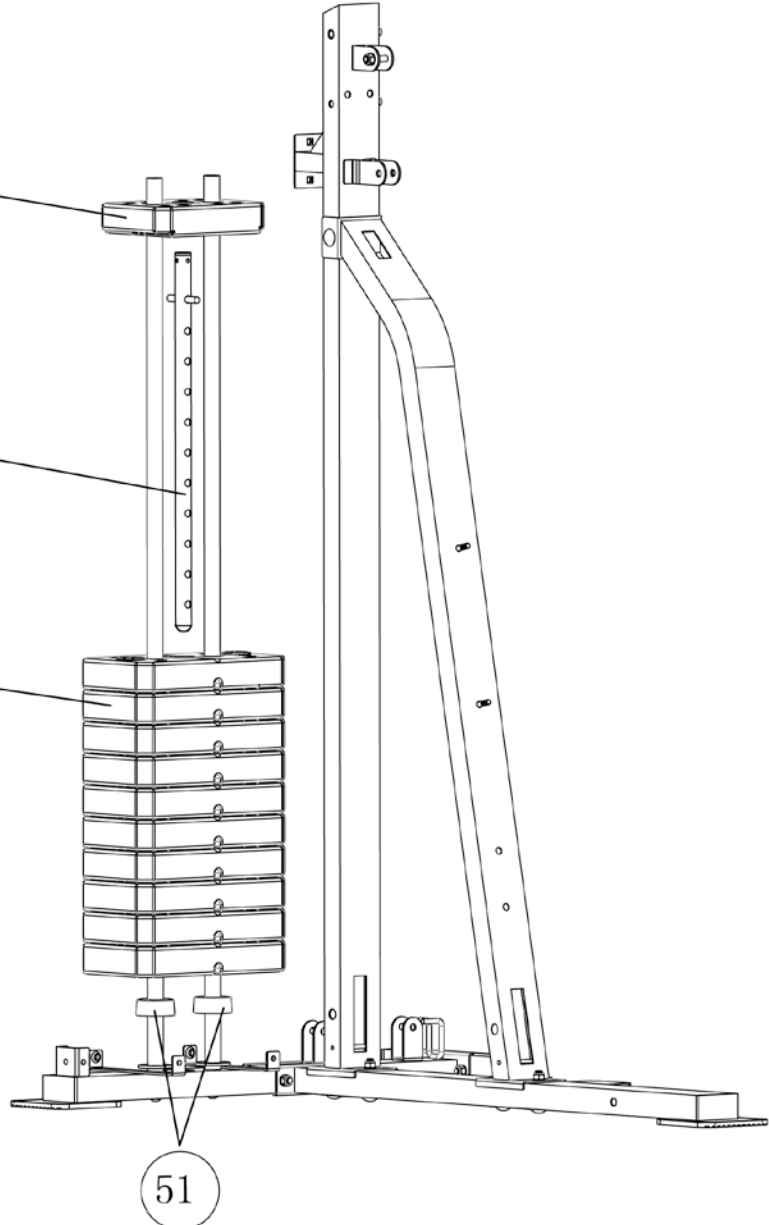
32

14

33

51

4



67



M10 x 1"

2

68



M10 x 5/8"

3

73



Ø 3/4"

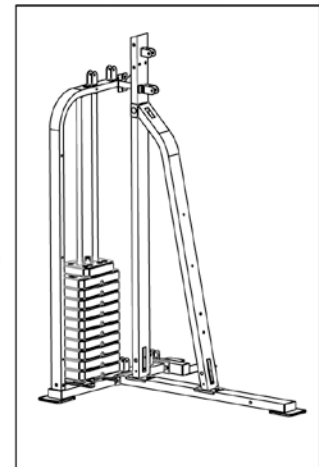
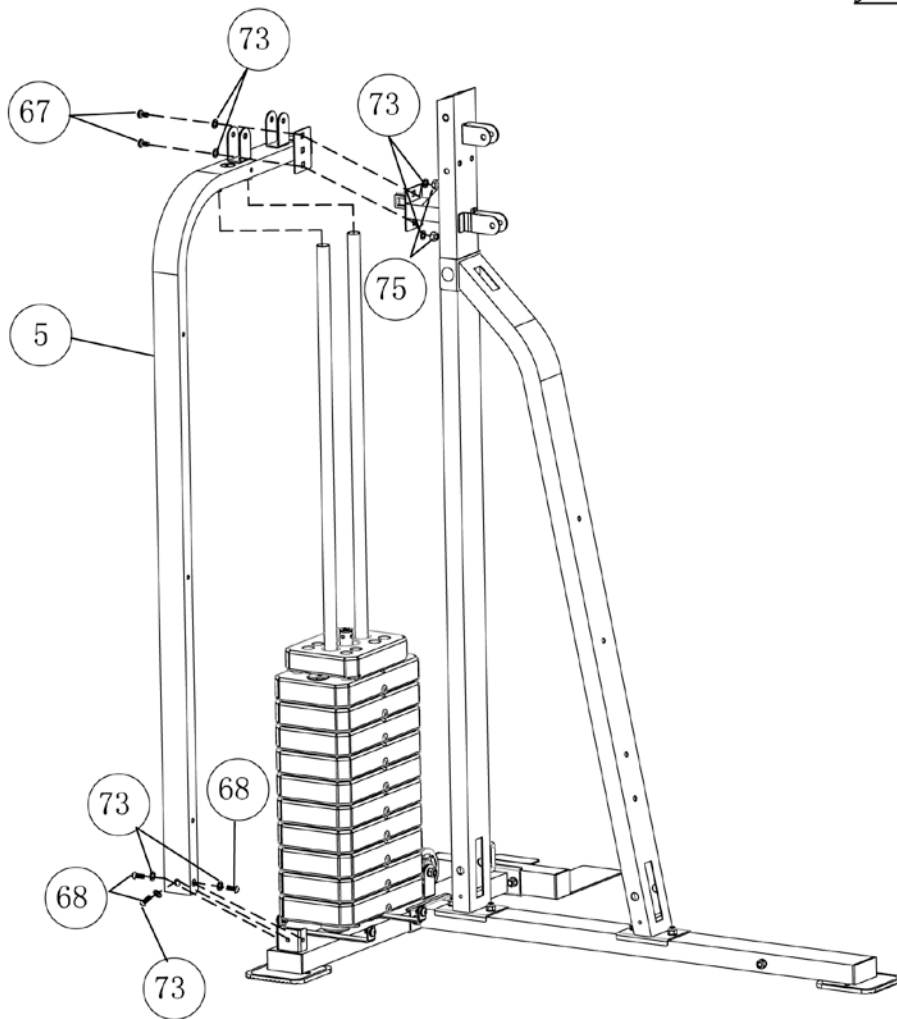
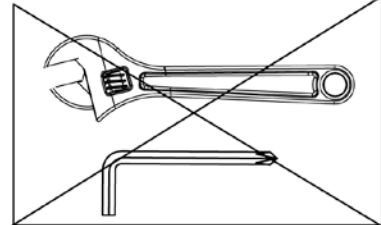
7

75



M10

2



5

58



M10 x 4"

2

60



M10 x 2 3/8"

2

73



Ø 3/4"

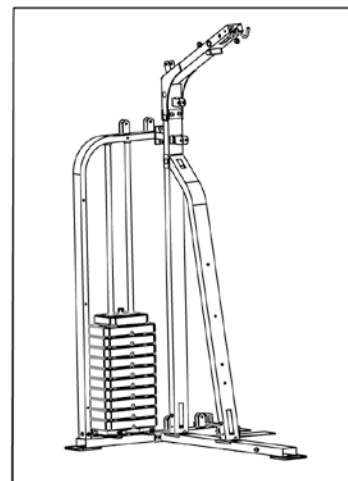
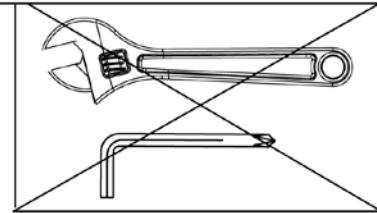
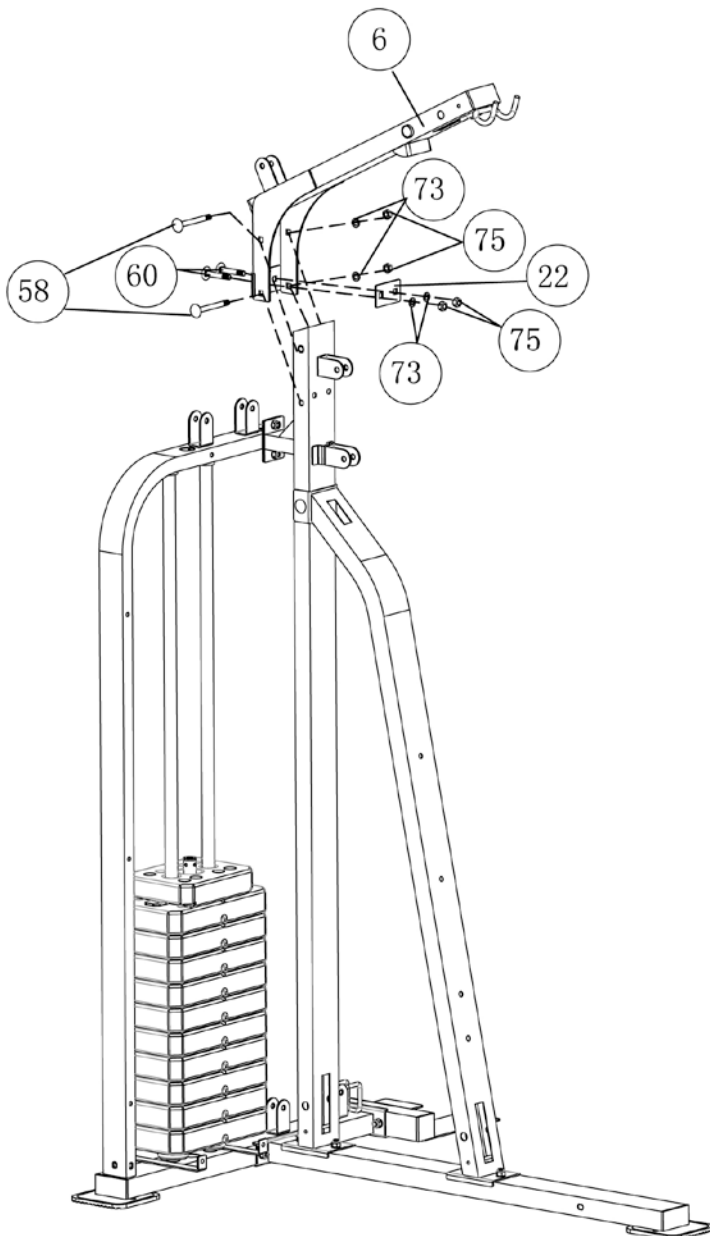
4

75



M10

4



6

77



M10 x 6 $\frac{3}{8}$ "

1

72



Ø 1"

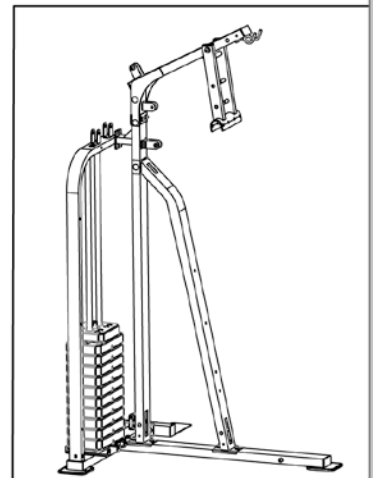
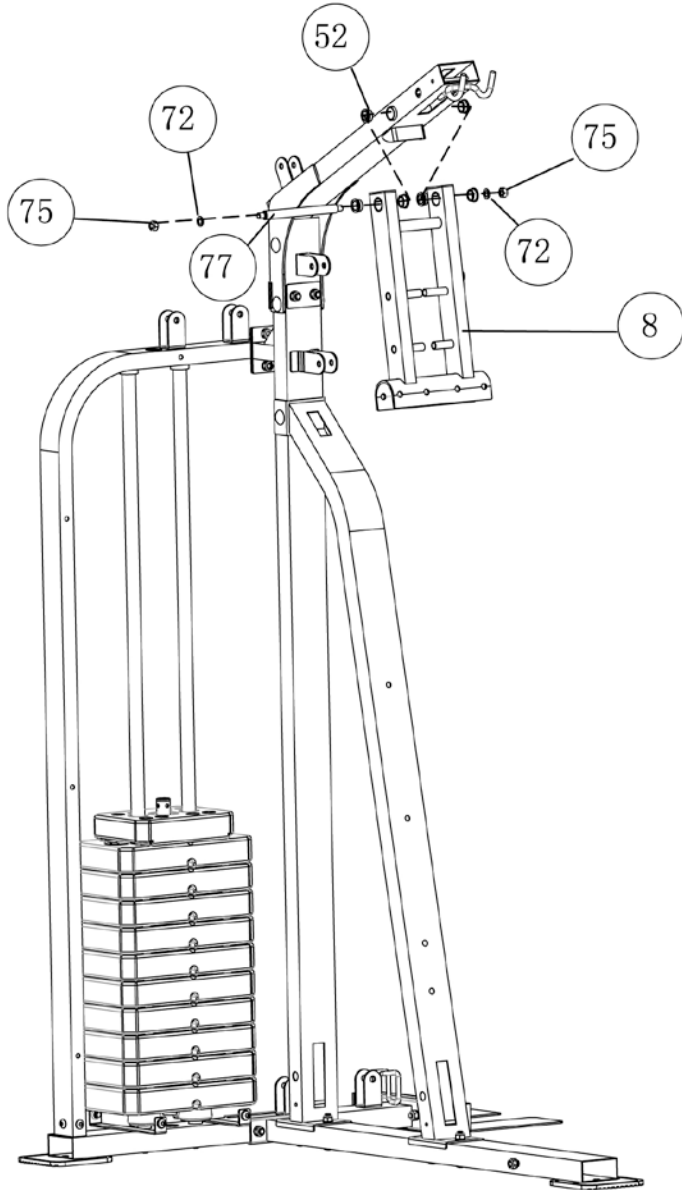
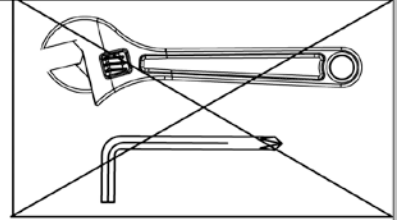
2

75



M10

2



7

63  M10 x 3" 2

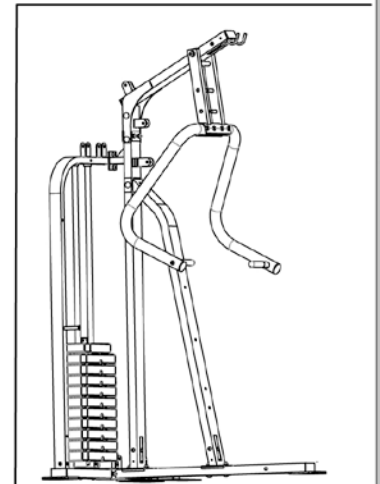
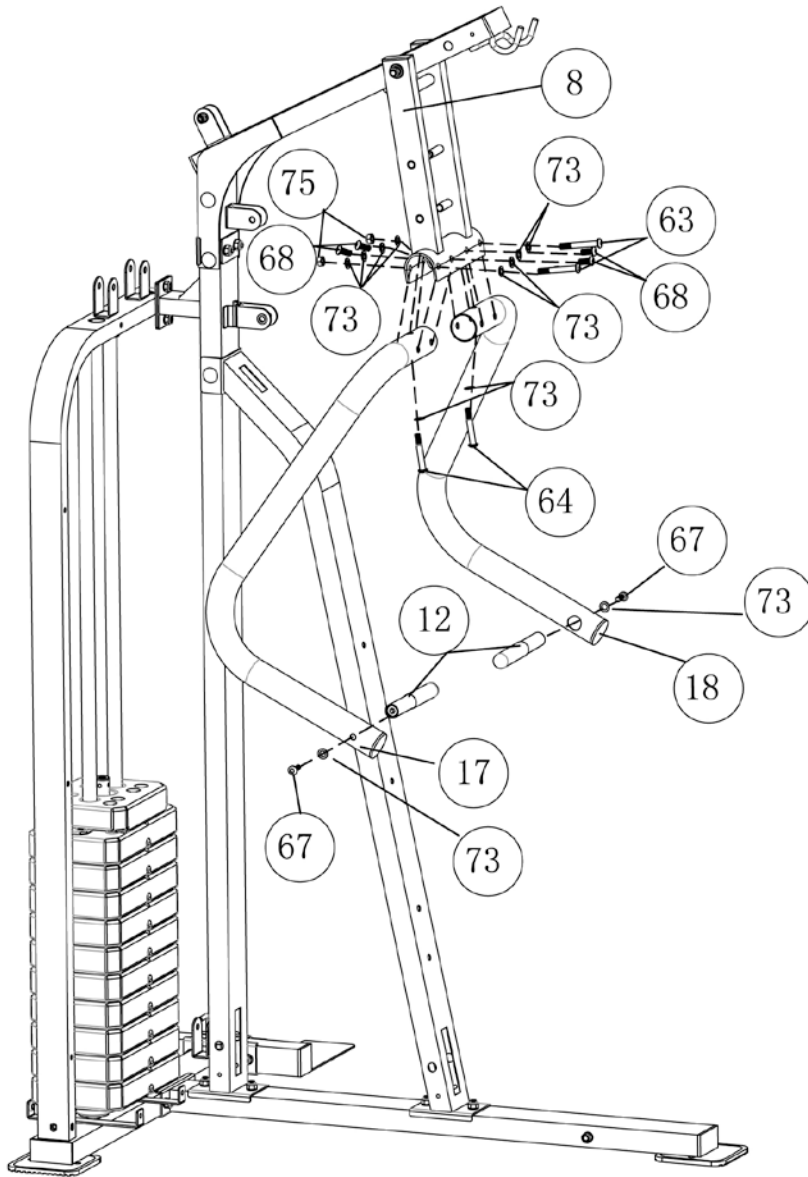
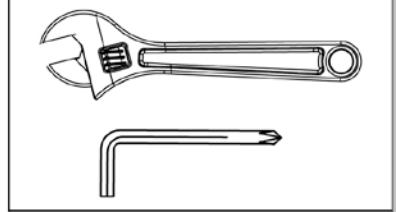
68  M10 x $\frac{5}{8}$ " 4

64  M10 x 2 $\frac{1}{2}$ " 2

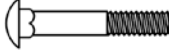
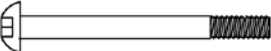


73  $\varnothing \frac{3}{4}$ " 12

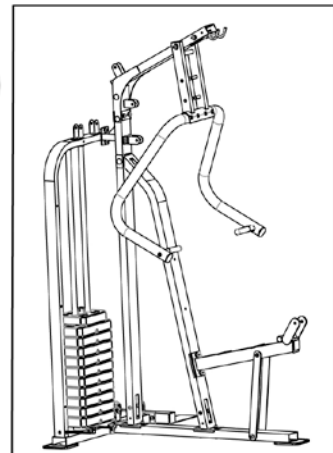
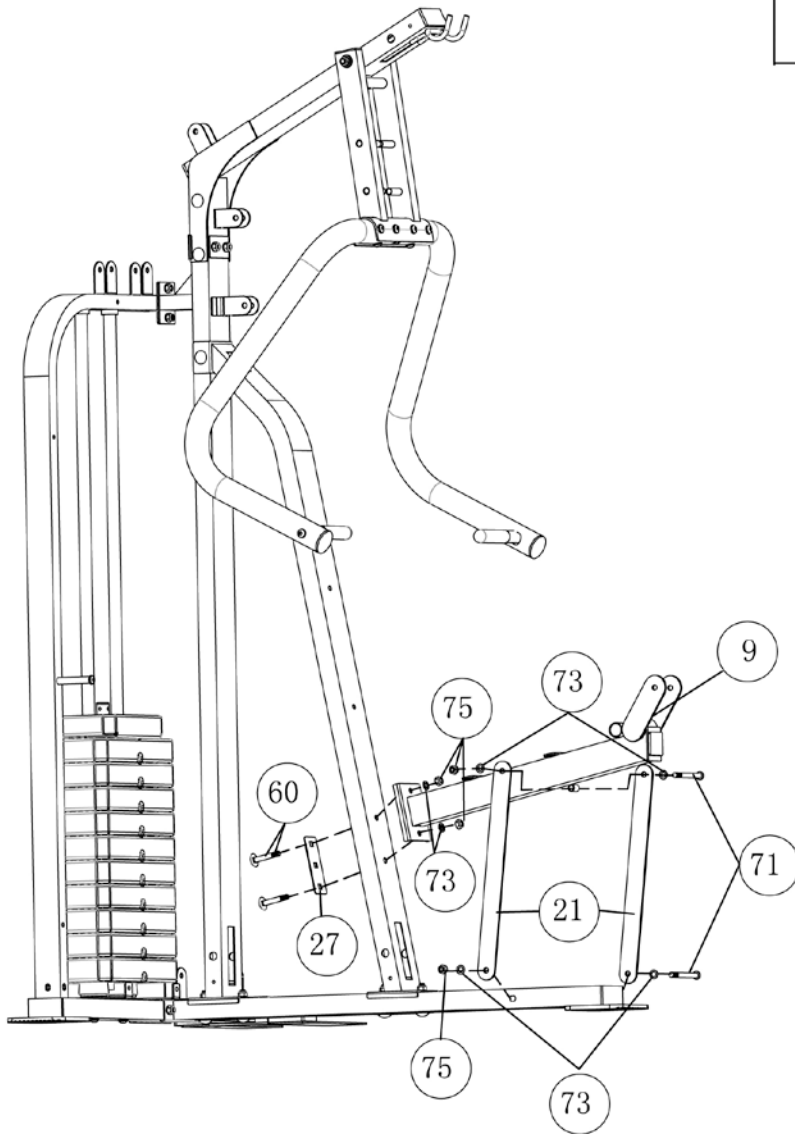
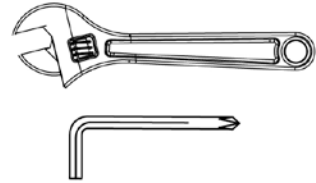
67  M10 x 1" 2

75  M10 4



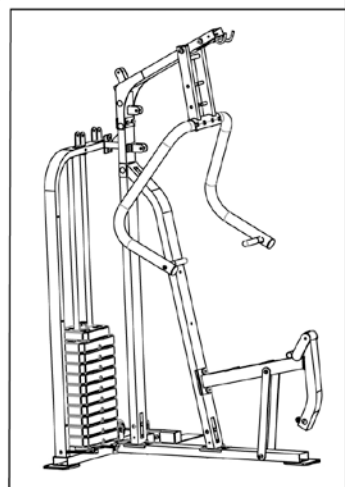
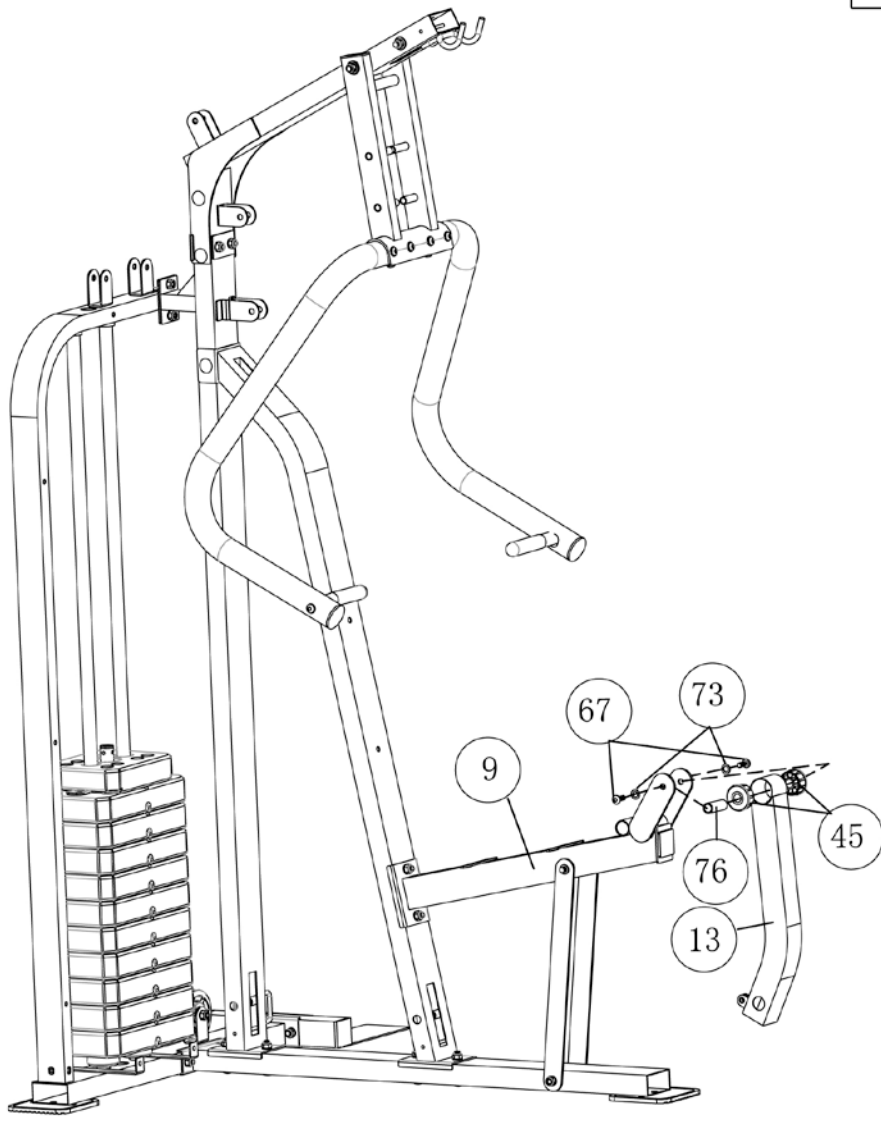
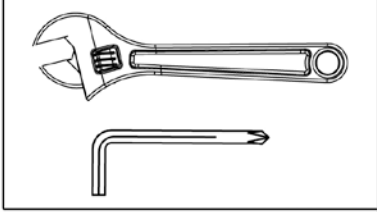
8

60		M10 x 2 $\frac{3}{8}$ "	2
71		M10 x 4"	2
73		$\varnothing \frac{3}{4}$ "	6
75		M10	4

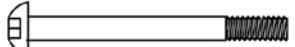






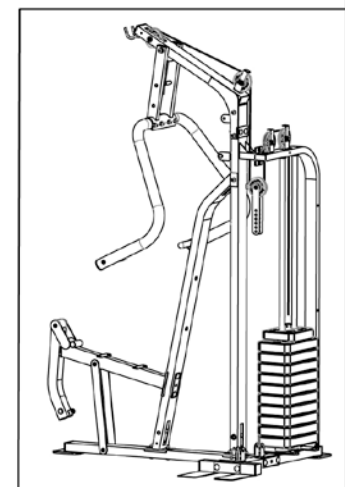
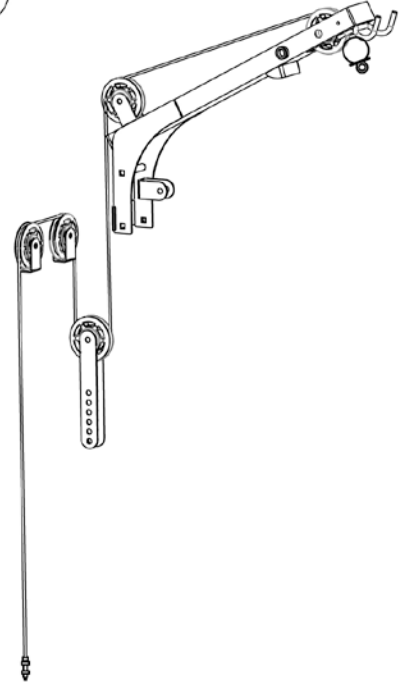
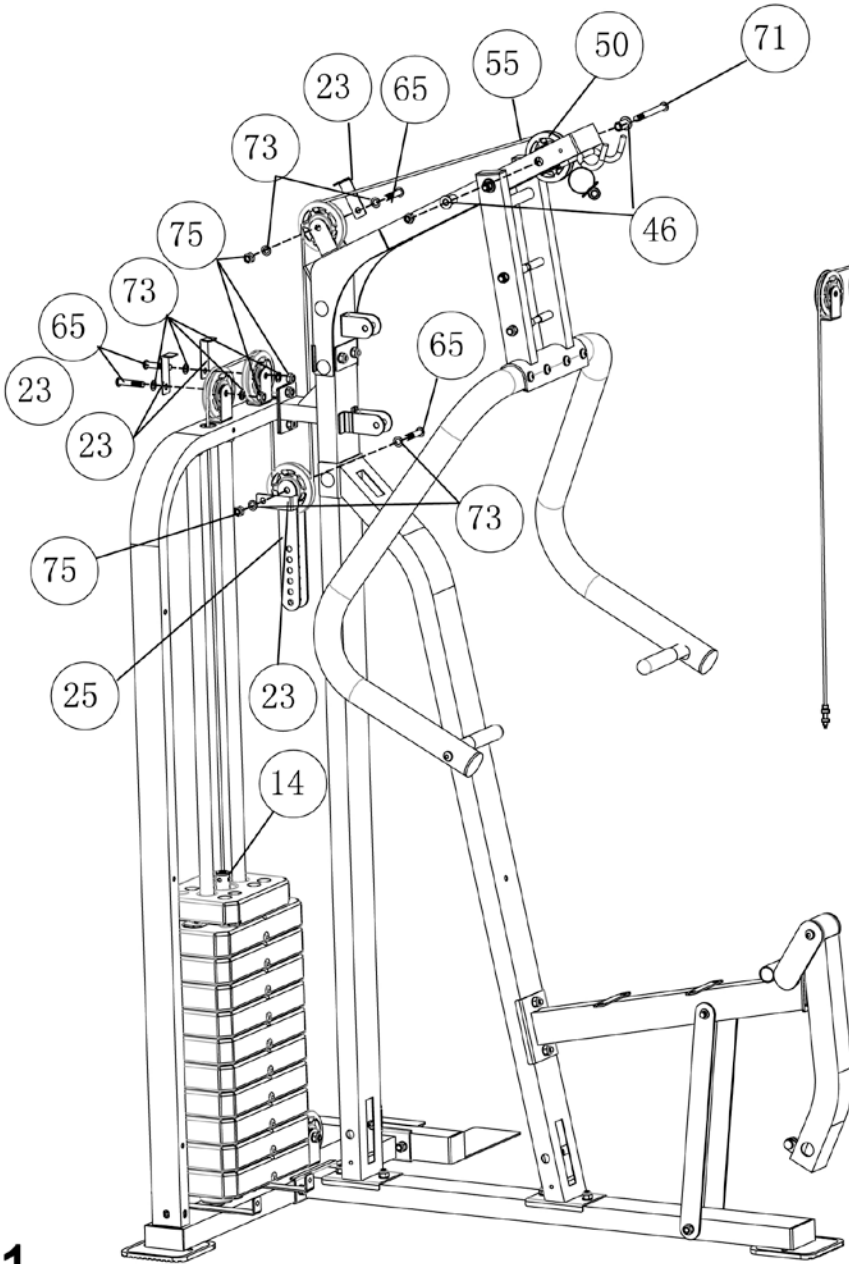
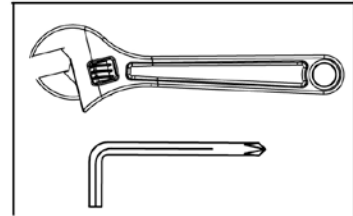
9

67		M10 x 1"	2
73		$\varnothing \frac{3}{4}$ "	2
76		M10 x 2 $\frac{1}{4}$ "	1

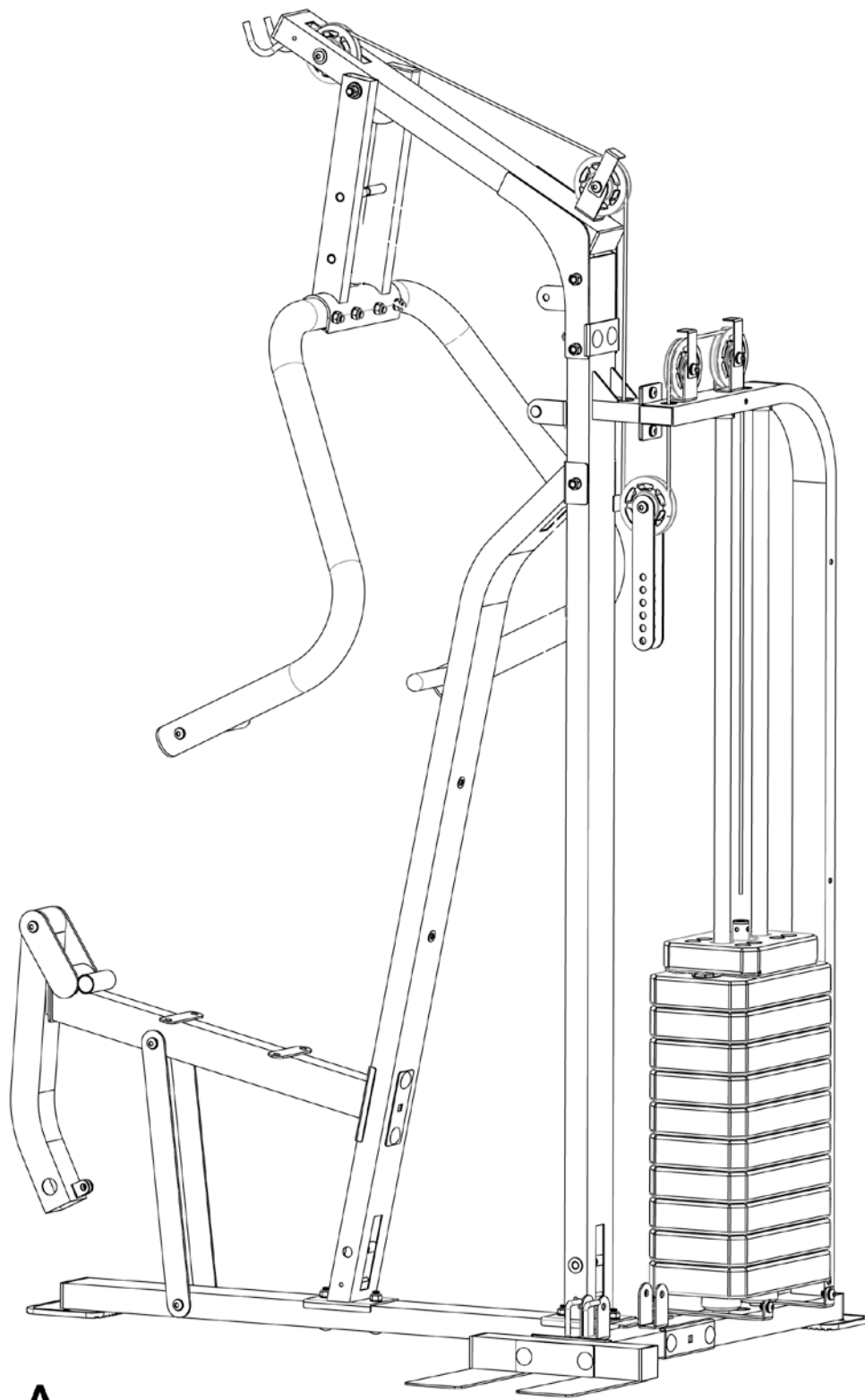


10

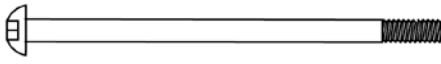





71		M10 x 4"	1
65		M10 x 2"	4
73		$\varnothing \frac{3}{4}$ "	8
75		M10	5
55			

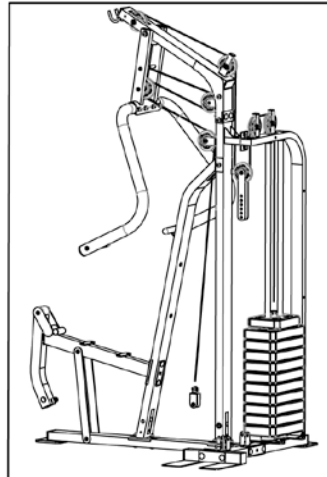
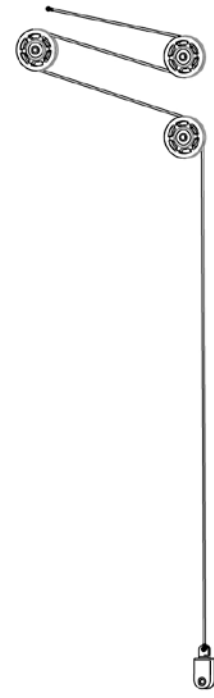
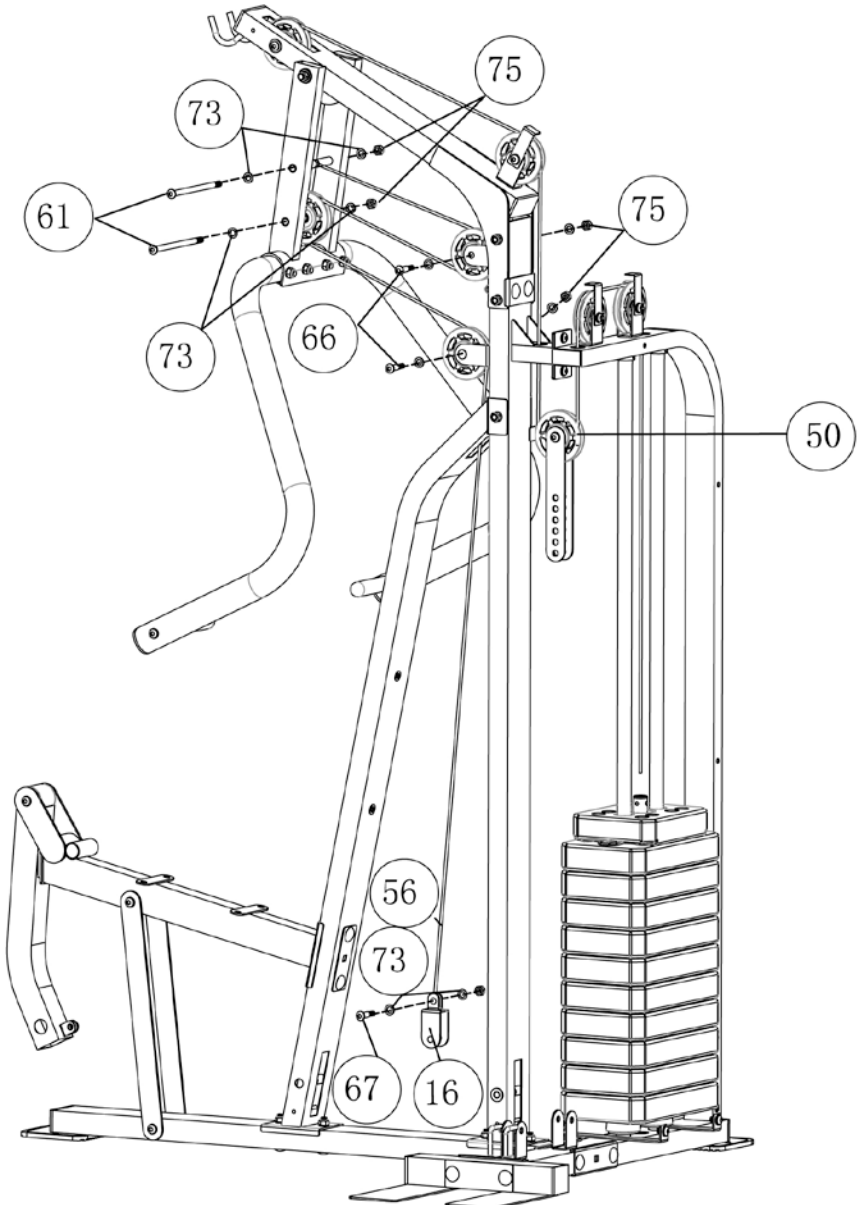
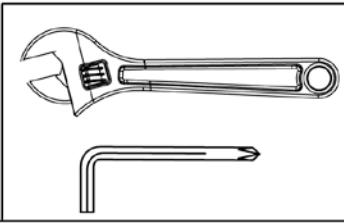


11

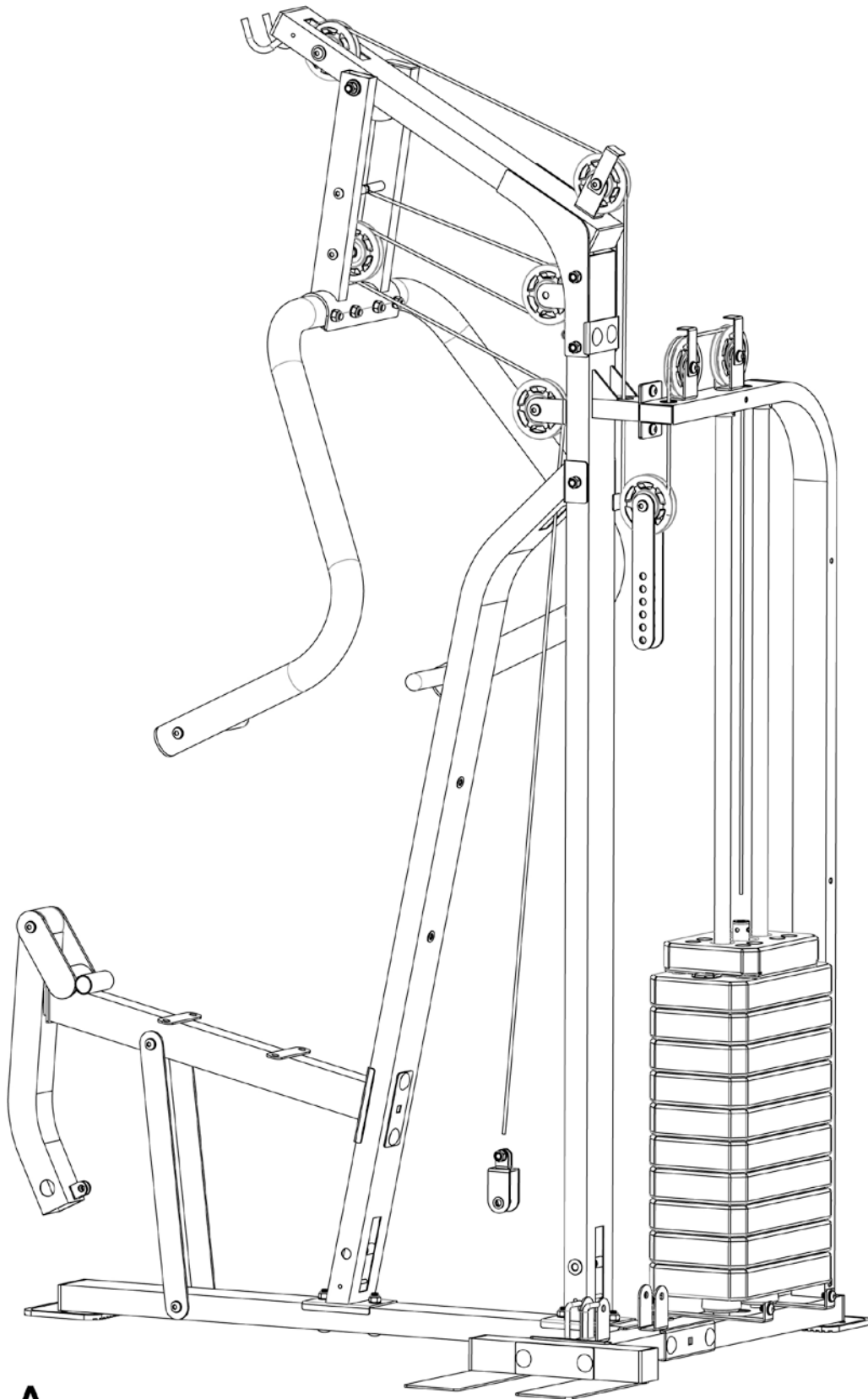


11-A

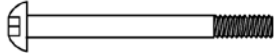





(61)		M10 x 6 $\frac{3}{4}$ "	2
(66)		M10 x 1 $\frac{3}{4}$ "	2
(67)		M10 x 1"	1
(73)		$\emptyset \frac{3}{4}$ "	10
(75)		M10	5
(56)			

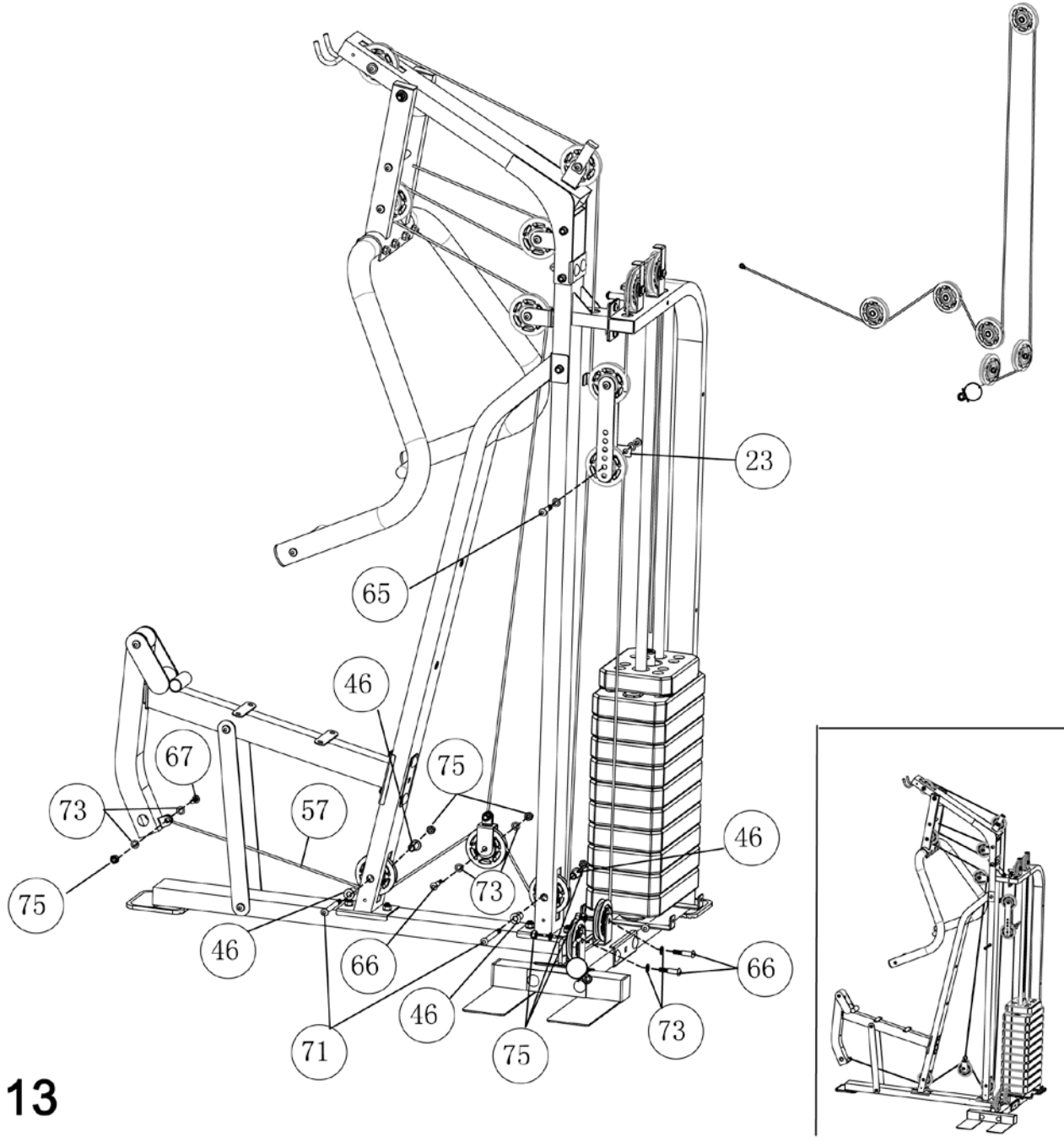
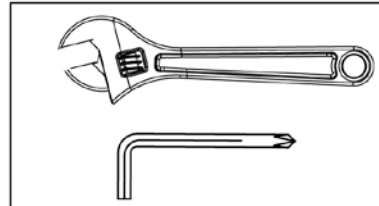


12

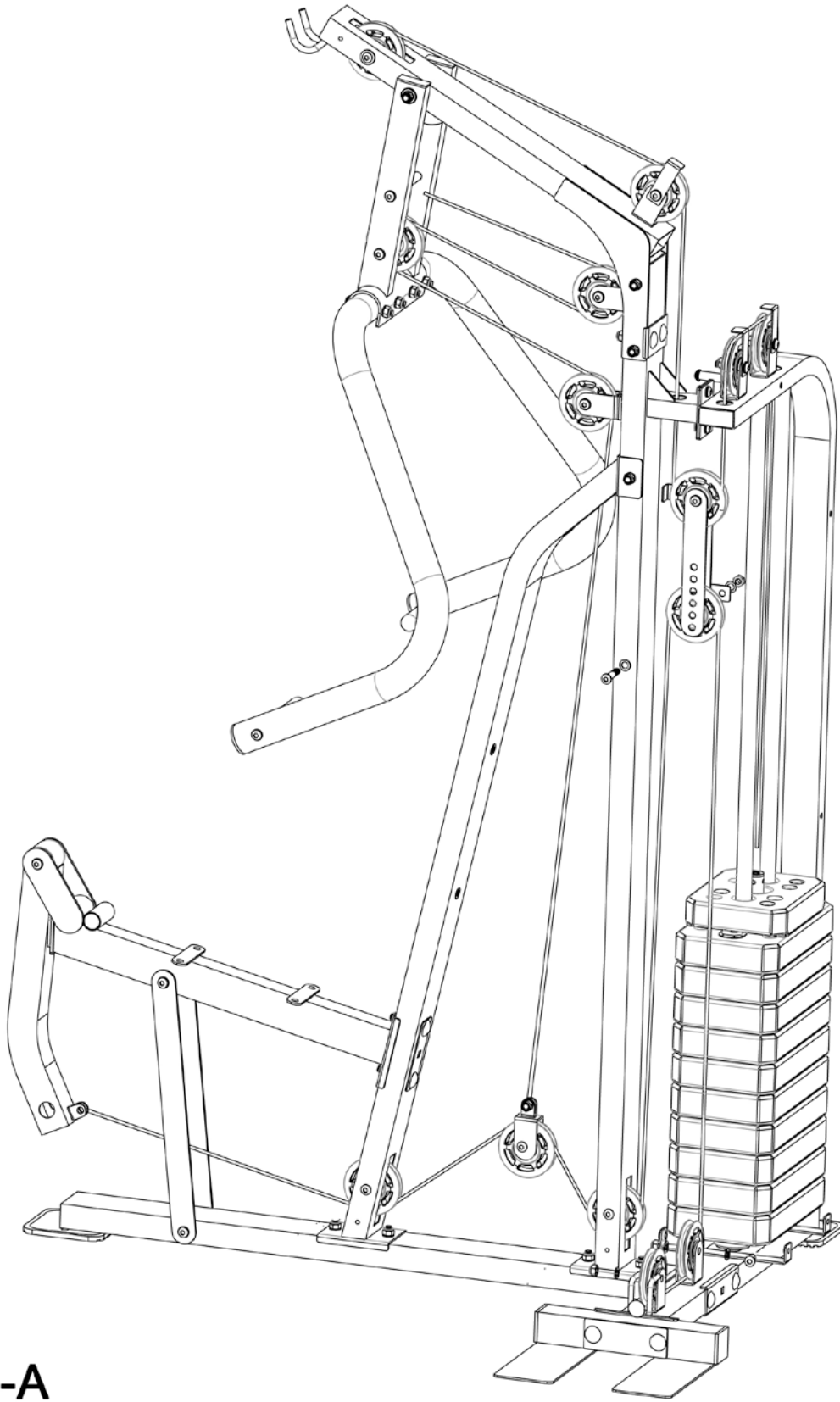


12-A

71		M10 x 4"	2
65		M10 x 2"	1
66		M10 x 1 3/4"	3
67		M10 x 1"	1
73		Ø 3/4"	10
75		M10	7

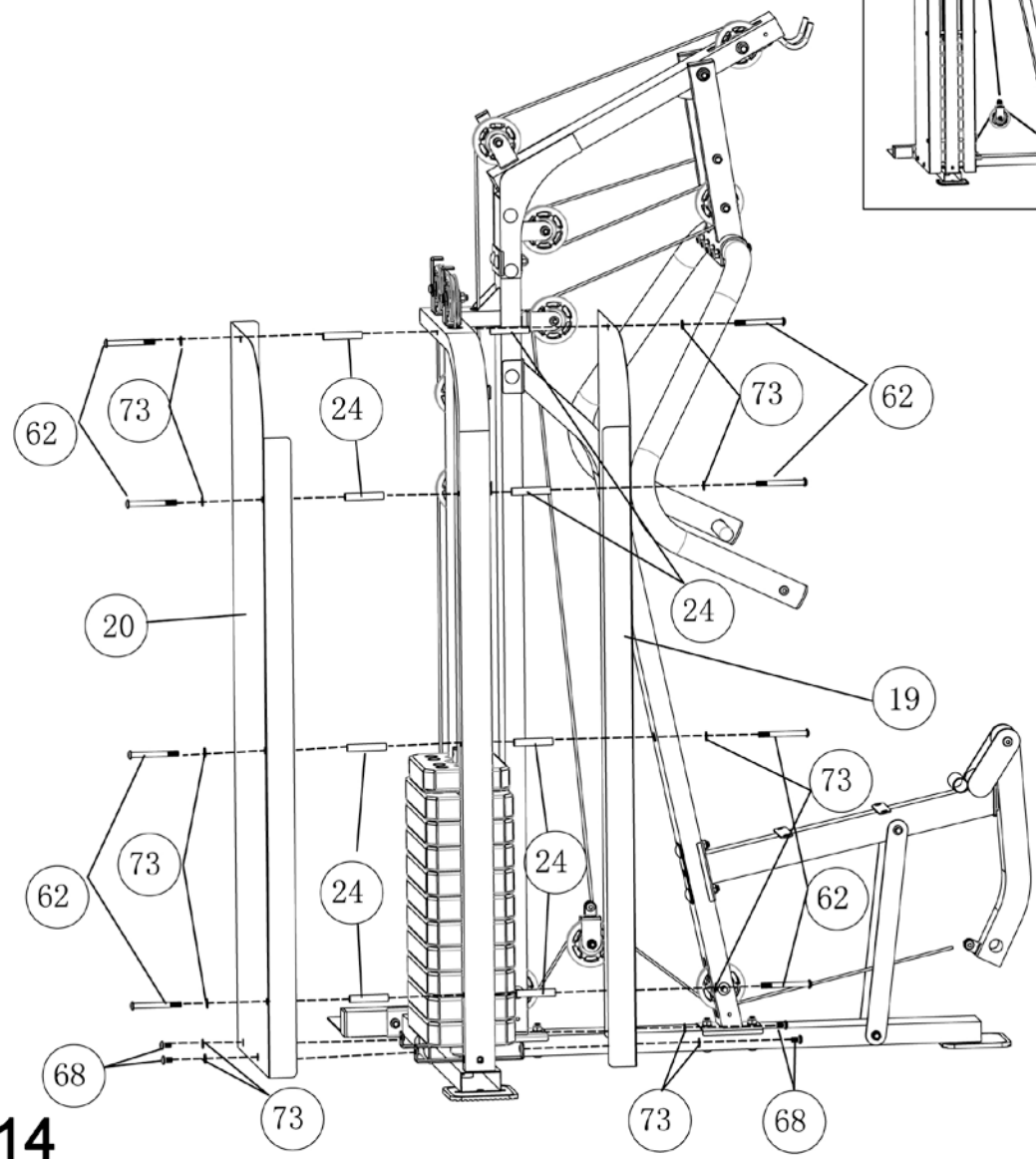
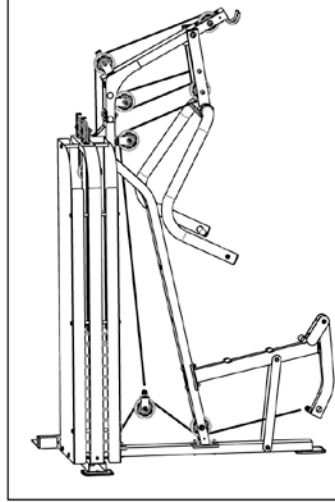
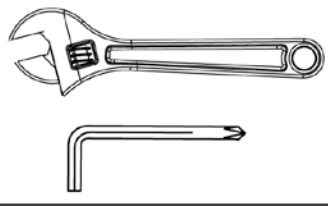


13

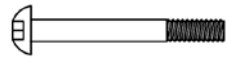


13-A

62		M10 x 3 3/4"	8
68		M10 x 5/8"	4
73		Ø 3/4"	12



69



M8 x 2 1/2"

2

70



M8 x 3/4"

4

74



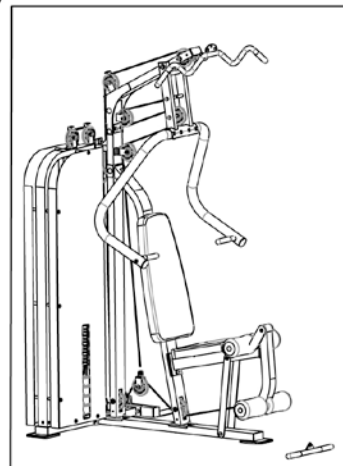
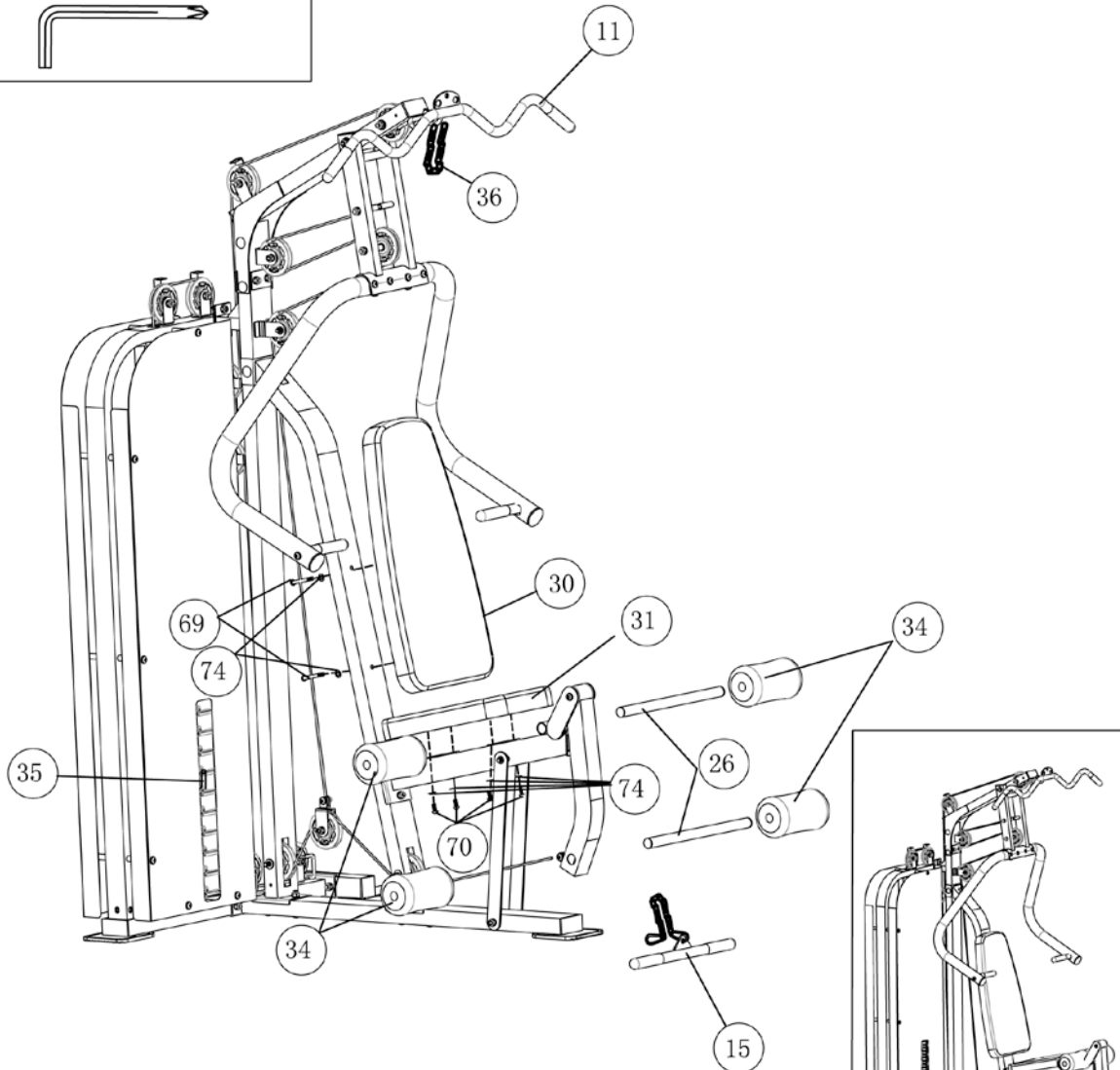
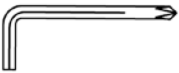
Ø 5/8"

6

35



1



15

